

CRUSHER



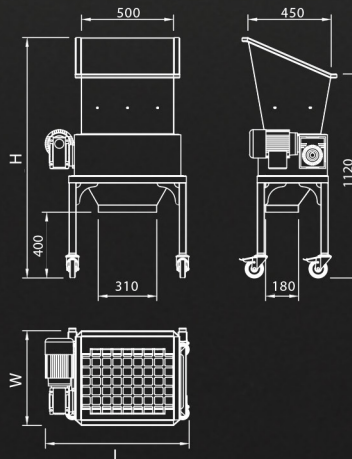
PROCESSING



Crusher

The crusher is used for crushing berries before pressing.

- Entirely made of stainless steel.
- Mounted on trolley.
- Capacity: 2500 - 3000 kg/h.



M2500		
Capacity	kg/h	2500 - 3000
L	mm	800
H	mm	1320
W	mm	520
Dry weight	kg	90
Power source	kW	1,85

Technical data is informative. We reserve the right to make changes.

BERRIES PROCESSING MACHINERY



FRUIT PROCESSING MACHINERY

ŠRAML d.o.o.
Podnanos 66b
SI-5272 Podnanos
SLOVENIA

tel.: +386 5 3686116
fax: +386 5 3686117
info@niko-si.si
www.niko-si.si

