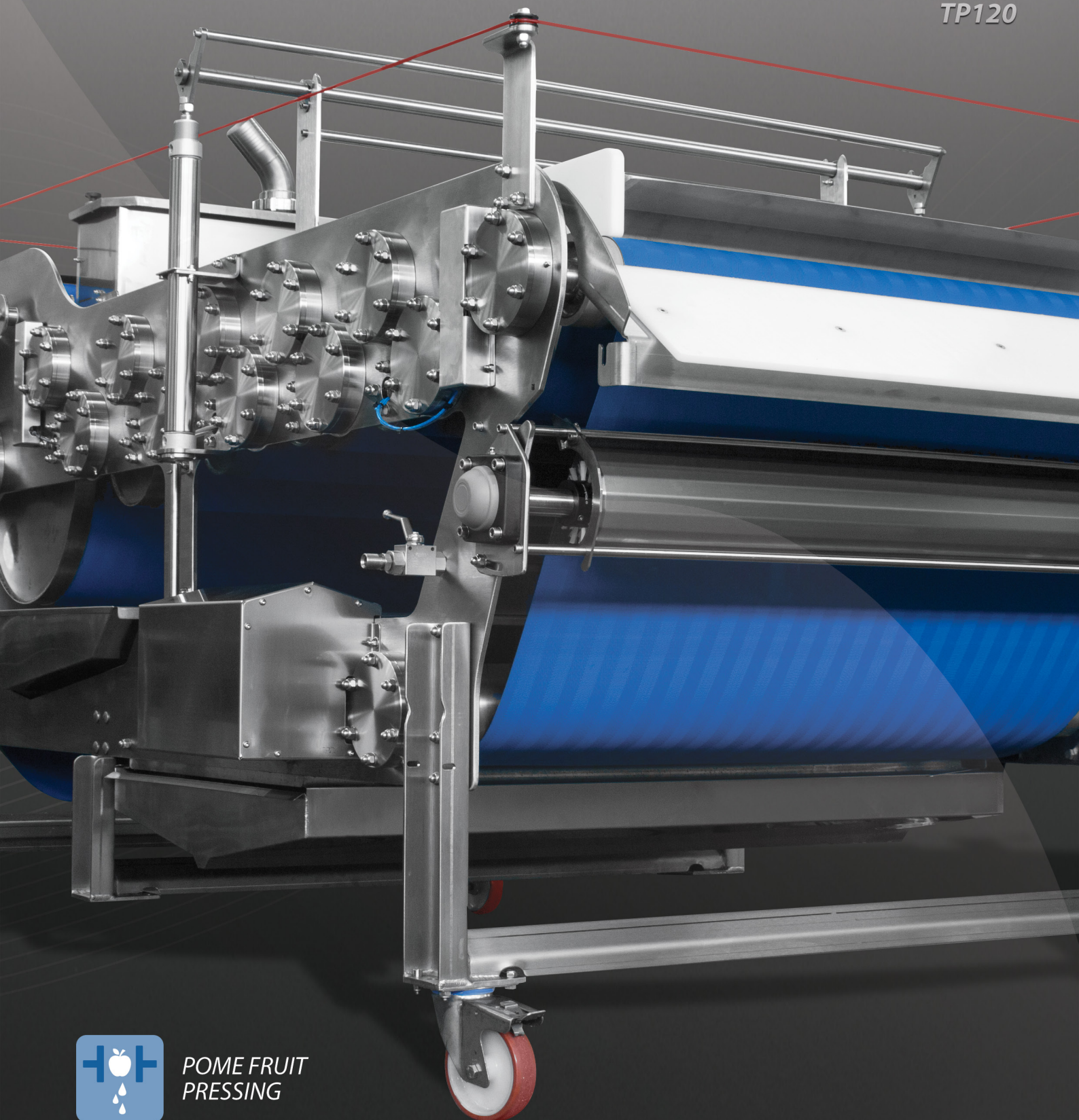




# Fruit processing machinery

*Pome fruit processing*

**BELT PRESS**  
TP120



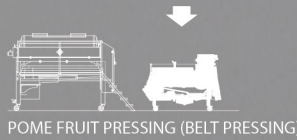
POME FRUIT  
PRESSING





# BELT PRESS

## TP120



POME FRUIT PRESSING



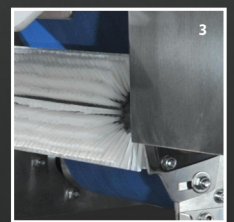
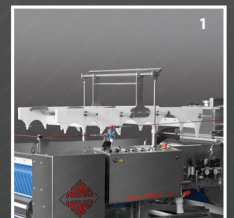
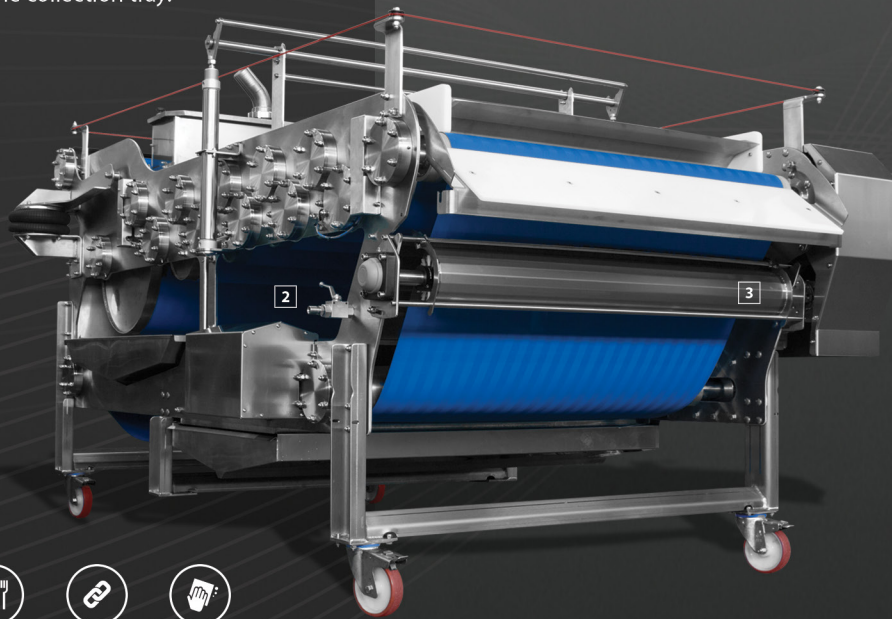
Belt pressing

### Description

The belt press is designed for pressing fruit mass. Fruit mass is placed on the tape which presses it against cylinders. The obtained juice flows in the collection trays under the press. The pressing is continuous.

### Main features:

- Entirely made of stainless steel.
- Mounted on pivoting wheels or adjustable feet.
- Automatic functioning of press.
- Level switch in the dumping hopper.
- Equipped with a compressor.
- Easy to clean with no closed or inaccessible spaces.
- Cleaning of belt with high pressure cleaner, scraper and brush.
- Pneumatic lifting of the scrapers unit for easier access when cleaning.
- Level switch in the collection tray.



PNEUMATIC LIFTING



FOOD CONTACT MATERIALS

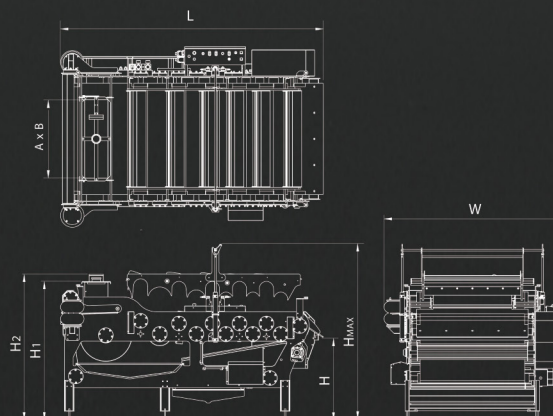


RESISTANT MATERIALS



EASY CLEANING

TP120		
Capacity	kg/h	3000
Dry weight	kg	2500
L	mm	3020
W	mm	2075
H	mm	950
H1	mm	1590
H2	mm	1675
H <sub>MAX</sub>	mm	2020
A x B	mm	900 x 265
Power source	kW	2,2



Technical data is informative. We reserve the right to make changes.

