

VHP DESCRIPTION

The filter series VHP have been developed for using on sanitary applications as filtration of beverages such as beer, wine, mineral water, soft-drinks.

DESIGN

Filter VHP has been designed in accordance to EN 13445 rule. The complete series is available with sizes from 1 cartridge to 30 cartridges and from 10" of 40" cartridges height. Cartridges socket connection is available for (226) Code7 Bayonet and (222) Code8 Single Open End. The housings of the series can be equipped on Inlet and Outlet with a wide range of connections as Clamp and DIN11851, other kind of connections can be supplied on request. Vent and Drains are available as standard solution with Sanitary Clamp TC 1.5", alternatively also with connections DIN11851 DN25. VHP is a high pressure series for not dangerous fluid, different category CE97/23 PED, based on filter housing size, permit a pressure range -1 to 10bar at 40°C and -1 to 4bar at 150°C.

CONSTRUCTION MATERIALS

VHP wetted parts are built in Stainless Steel AISI 316L.

GASKETS MATERIALS

VHP series is adaptable to several fluids. Gaskets can be requested in many kind of materials depending on the application. The standard gasket are in Silicone FDA Approved.

ATEX

VHP filter housing is ATEX certified. It doesn't require additional certification costs. The user manual shows all the ATEX rules information.

CERTIFICATES

As etched on the data label, VHP housings have been designed under CE 97/23 PED. From Roughness certificates to Material certificates, Alteco is able to supply all the additional documentation you require.

VENTS, DRAINS, IN/OUT CONNECTIONS FLEXIBILITY

Vents, drains and IN/OUT connections are fully adaptable. A wide range of vents, drains and IN/OUT connections can satisfy all your needs avoiding any kind of adapters.

PED CATEGORY

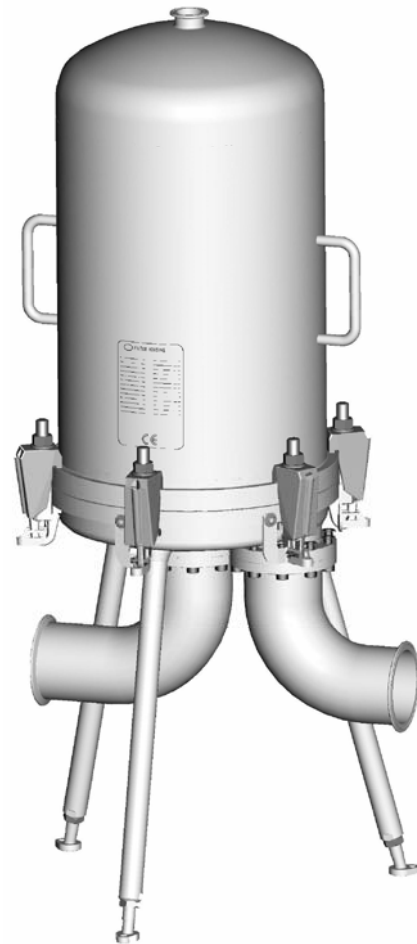
We can supply VHP filter housings in I, II, III PED category, basing on the pressure used during the filtration process.

PRESSURE TEST

Each VHP filter housing is tested to assure perfection and solidity of the welded joints, in order to gain a high safety level.

PRICE AND TECHNICAL SOLUTIONS

VHP series standard part number have most competitive price


FILTER HOUSING

PART NUMBER	
MODEL	"Q"
TYPE	
CARTRIDGE NO. x HIGH (inch)	"N"
CATEGORY CE 97/23	
VOLUME LITRES (V)	
PRESSURE(PS) min-max at TS=-20 / 40°C bar	-1 ÷ 10 ⚠
PRESSURE(PS) min-max at TS=150°C bar	-1 ÷ 4 ⚠
TEST PRESSURE(PT) bar	
DESIGN TEMPERATURE (TS) min-max	
FLUID GROUP (PED CE 97/23)	2
VESSEL MATERIAL	316L / 1.4404
YEAR OF MANUFACTURE	
VESSEL NUMBER	
ATEX CLASSIFICATION	II 2 GD IIC
ATEX CERTIFICATION	04.01 EX.02-X

⚠ SEE USER MANUAL FOR MAX WORKING PRESSURE WITH NOT DANGEROUS GAS IN ACCORDANCE WITH CE 97/23


DATA LABEL EXAMPLE

Standard part number include: socket 226 code 7, drains TC 1,5", Vent TC 1,5", internal finishing mechanical polished Ra<0,8 µm; external finishing mechanical polished; connections: butt weld, Din 11851 or TriClamp, gaskets Silicone.

Standard documentation include: Usermanual and (if possible) Conformity Declaration.

Delivery for standard part numbers is generally shorter

PART NUMBER	DESCRIPTION	NO.CART	BOWL HEIGHT	CONNECTION	NOMINAL DIAMETER
5130117S21M8T010	VHP 01 1 C07 SI T015 T015 ME R08 T010	01	10"	TC	1.0"
5130117S21M8D025	VHP 01 1 C07 SI T015 T015 ME R08 D025	01	10"	DIN 11851 male part	DN 25
5130117S21M8W025	VHP 01 1 C07 SI T015 T015 ME R08 W025	01	10"	BUTT WELD	25,4 X 1,65
5130127S21M8T010	VHP 01 2 C07 SI T015 T015 ME R08 T010	01	20"	TC	1.0"
5130127S21M8D025	VHP 01 2 C07 SI T015 T015 ME R08 D025	01	20"	DIN 11851 male part	DN 25
5130127S21M8W025	VHP 01 2 C07 SI T015 T015 ME R08 W025	01	20"	BUTT WELD	25,4 X 1,65
5130137S21M8T010	VHP 01 3 C07 SI T015 T015 ME R08 T010	01	30"	TC	1.0"
5130137S21M8D025	VHP 01 3 C07 SI T015 T015 ME R08 D025	01	30"	DIN 11851 male part	DN 25
5130137S21M8W025	VHP 01 3 C07 SI T015 T015 ME R08 W025	01	30"	BUTT WELD	25,4 X 1,65
5130147S21M8T010	VHP 01 4 C07 SI T015 T015 ME R08 T010	01	40"	TC	1.0"
5130147S21M8D025	VHP 01 4 C07 SI T015 T015 ME R08 D025	01	40"	DIN 11851 male part	DN 25
5130147S21M8W025	VHP 01 4 C07 SI T015 T015 ME R08 W025	01	40"	BUTT WELD	25,4 X 1,65
5130327S21M8T015	VHP 03 2 C07 SI T015 T015 ME R08 T015	03	20"	TC	1.5"
5130327S21M8D040	VHP 03 2 C07 SI T015 T015 ME R08 D040	03	20"	DIN 11851 male part	DN40
5130327S21M8W038	VHP 03 2 C07 SI T015 T015 ME R08 W038	03	20"	BUTT WELD	38,1 X 1,65
5130337S21M8T015	VHP 03 3 C07 SI T015 T015 ME R08 T015	03	30"	TC	1.5"
5130337S21M8D040	VHP 03 3 C07 SI T015 T015 ME R08 D040	03	30"	DIN 11851 male part	DN40
5130337S21M8W038	VHP 03 3 C07 SI T015 T015 ME R08 W038	03	30"	BUTT WELD	38,1 X 1,65
5130347S21M8T015	VHP 03 4 C07 SI T015 T015 ME R08 T015	03	40"	TC	1.5"
5130347S21M8D040	VHP 03 4 C07 SI T015 T015 ME R08 D040	03	40"	DIN 11851 male part	DN40
5130347S21M8W038	VHP 03 4 C07 SI T015 T015 ME R08 W038	03	40"	BUTT WELD	38,1 X 1,65
5130527S21M8T020	VHP 05 2 C07 SI T015 T015 ME R08 T020	05	20"	TC	2.0"
5130527S21M8D050	VHP 05 2 C07 SI T015 T015 ME R08 D050	05	20"	DIN 11851 male part	DN 50
5130527S21M8W051	VHP 05 2 C07 SI T015 T015 ME R08 W051	05	20"	BUTT WELD	50,8 X 1,65
5130537S21M8T020	VHP 05 3 C07 SI T015 T015 ME R08 T020	05	30"	TC	2.0"
5130537S21M8D050	VHP 05 3 C07 SI T015 T015 ME R08 D050	05	30"	DIN 11851 male part	DN 50
5130537S21M8W051	VHP 05 3 C07 SI T015 T015 ME R08 W051	05	30"	BUTT WELD	50,8 X 1,65
5130547S21M8T020	VHP 05 4 C07 SI T015 T015 ME R08 T020	05	40"	TC	2.0"
5130547S21M8D050	VHP 05 4 C07 SI T015 T015 ME R08 D050	05	40"	DIN 11851 male part	DN 50
5130547S21M8W051	VHP 05 4 C07 SI T015 T015 ME R08 W051	05	40"	BUTT WELD	50,8 X 1,65
5130827S21M8T020	VHP 08 2 C07 SI T015 T015 ME R08 T020	08	20"	TC	2.0"
5130827S21M8D050	VHP 08 2 C07 SI T015 T015 ME R08 D050	08	20"	DIN 11851 male part	DN 50
5130827S21M8W051	VHP 08 2 C07 SI T015 T015 ME R08 W051	08	20"	BUTT WELD	50,8 X 1,65
5130837S21M8T020	VHP 08 3 C07 SI T015 T015 ME R08 T020	08	30"	TC	2.0"
5130837S21M8D050	VHP 08 3 C07 SI T015 T015 ME R08 D050	08	30"	DIN 11851 male part	DN 50
5130837S21M8W051	VHP 08 3 C07 SI T015 T015 ME R08 W051	08	30"	BUTT WELD	50,8 X 1,65
5130847S21M8T020	VHP 08 4 C07 SI T015 T015 ME R08 T020	08	40"	TC	2.0"
5130847S21M8D050	VHP 08 4 C07 SI T015 T015 ME R08 D050	08	40"	DIN 11851 male part	DN 50
5130847S21M8W051	VHP 08 4 C07 SI T015 T015 ME R08 W051	08	40"	BUTT WELD	50,8 X 1,65
5131237S21M8T025	VHP 12 3 C07 SI T015 T015 ME R08 T025	12	30"	TC	2.5"
5131237S21M8D065	VHP 12 3 C07 SI T015 T015 ME R08 D065	12	30"	DIN 11851 male part	DN 65
5131237S21M8W063	VHP 12 3 C07 SI T015 T015 ME R08 W063	12	30"	BUTT WELD	63,5 X 1,65
5131247S21M8T025	VHP 12 4 C07 SI T015 T015 ME R08 T025	12	40"	TC	2.5"
5131247S21M8D065	VHP 12 4 C07 SI T015 T015 ME R08 D065	12	40"	DIN 11851 male part	DN 65
5131247S21M8W063	VHP 12 4 C07 SI T015 T015 ME R08 W063	12	40"	BUTT WELD	63,5 X 1,65
5131837S21M8T025	VHP 18 3 C07 SI T015 T015 ME R08 T025	18	30"	TC	2.5"
5131837S21M8D065	VHP 18 3 C07 SI T015 T015 ME R08 D065	18	30"	DIN 11851 male part	DN 65
5131837S21M8W063	VHP 18 3 C07 SI T015 T015 ME R08 W063	18	30"	BUTT WELD	63,5 X 1,65
5131847S21M8T025	VHP 18 4 C07 SI T015 T015 ME R08 T025	18	40"	TC	2.5"
5131847S21M8D065	VHP 18 4 C07 SI T015 T015 ME R08 D063	18	40"	DIN 11851 male part	DN 65
5131847S21M8W063	VHP 18 4 C07 SI T015 T015 ME R08 W063	18	40"	BUTT WELD	63,5 X 1,65
5132437S21M8T025	VHP 24 3 C07 SI T015 T015 ME R08 T025	24	30"	TC	2.5"
5132437S21M8D065	VHP 24 3 C07 SI T015 T015 ME R08 D065	24	30"	DIN 11851 male part	DN 65
5132437S21M8W063	VHP 24 3 C07 SI T015 T015 ME R08 W063	24	30"	BUTT WELD	63,5 X 1,65
5132447S21M8T025	VHP 24 4 C07 SI T015 T015 ME R08 T025	24	40"	TC	2.5"
5132447S21M8D065	VHP 24 4 C07 SI T015 T015 ME R08 D063	24	40"	DIN 11851 male part	DN 65
5132447S21M8W063	VHP 24 4 C07 SI T015 T015 ME R08 W063	24	40"	BUTT WELD	63,5 X 1,65
5133037S21M8T030	VHP 30 3 C07 SI T015 T015 ME R08 T030	30	30"	TC	3.0"
5133037S21M8D080	VHP 30 3 C07 SI T015 T015 ME R08 D080	30	30"	DIN 11851 male part	DN 80
5133037S21M8W076	VHP 30 3 C07 SI T015 T015 ME R08 W076	30	30"	BUTT WELD	76,2 X 1,65
5133047S21M8T030	VHP 30 4 C07 SI T015 T015 ME R08 T030	30	40"	TC	3.0"
5133047S21M8D080	VHP 30 4 C07 SI T015 T015 ME R08 D080	30	40"	DIN 11851 male part	DN 80
5133047S21M8W076	VHP 30 4 C07 SI T015 T015 ME R08 W076	30	40"	BUTT WELD	76,2 X 1,65

SELECTION CRITERIA

Read from left to right choosing the options and substitute the X with option code. The result is a 16 digit part number (example: 5130837S21M8T015)

Options with (1) are considered standard, cheaper than the others.

PART NUMBERS

CARTRIDGES NUMBER	
01	1 CARTDRIGE
03	3 CARTDRIGES
05	5 CARTDRIGES
08	8 CARTDRIGES
12	12 CARTDRIGES
18	18 CARTDRIGES
24	24 CARTDRIGES
30	30 CARTDRIGES

GASKET MAT	
S	SILICONE (1)
E	EPDM
P	FEP+SILICONE
V	VITON

DRAINS H	
0	NO DRAIN
2	2 DRAINS TC 1.5" (1)
3	2 DRAINS DIN 11851 DN 25

VENT G	
1	TC 1.5" (1)
2	DIN 11851 DN 25

SOCKET	
7	226 / CODE 7 (1)
8	222 / CODE 8

FINISHING	
M	MECHANICAL POLISHING (1)
E	ELECPOLISHING

513

XX

X

X

X

X

X

X

8

XXXX

CARTRIGES HEIGHT	
1	10"
2	20"
3	30"
4	40"

	CONNECTIONS		AVAILABLE FOR FILTER HOUSING
	CLAMP (1) F		
T010	1"	Ø25.4	01 ⁽¹⁾
T015	1.5"	Ø38.1	01; 03 ⁽¹⁾ ; 05; 08
T020	2"	Ø50.8	05 ⁽¹⁾ ; 08 ⁽¹⁾ ; 12
T025	2.5"	Ø63.5	08; 12 ⁽¹⁾ ; 18 ⁽¹⁾ ; 24 ⁽¹⁾ ; 30
T030	3"	Ø76.2	08; 12; 18; 24; 30 ⁽¹⁾
T040	4"	Ø101.6	12; 18; 24; 30

DIN 11851 MALE PART (1) F			
D025	DN 25	Ø25.4	01 ⁽¹⁾
D040	DN 40	Ø38.1	01; 03 ⁽¹⁾ ; 05; 08
D050	DN 50	Ø50.8	05 ⁽¹⁾ ; 08 ⁽¹⁾ ; 12
D065	DN 65	Ø63.5	08; 12 ⁽¹⁾ ; 18 ⁽¹⁾ ; 24 ⁽¹⁾ ; 30
D080	DN 80	Ø76.2	08; 12; 18; 24; 30 ⁽¹⁾
D100	DN 100	Ø101.6	12; 18; 24; 30

BUTT WELD ASME BPE (1) F		
W025	Ø25.4 x 1.65	01 ⁽¹⁾
W038	Ø38.1 x 1.65	01; 03 ⁽¹⁾ ; 05; 08
W051	Ø50.8 x 1.65	05 ⁽¹⁾ ; 08 ⁽¹⁾ ; 12
W063	Ø63.5 x 1.65	08; 12 ⁽¹⁾ ; 18 ⁽¹⁾ ; 24 ⁽¹⁾ ; 30
W076	Ø76.2 x 1.65	08; 12; 18; 24; 30 ⁽¹⁾
W101	Ø101.6 x 2.11	12; 18; 24; 30

BUTT WELD ISO 1127-1 (1) F		
W114	Ø114.3 x 2.00	24; 30
W139	Ø139.7 x 2.00	without drain 24; 30
W168	Ø168.3 x 2.00	without drain 30

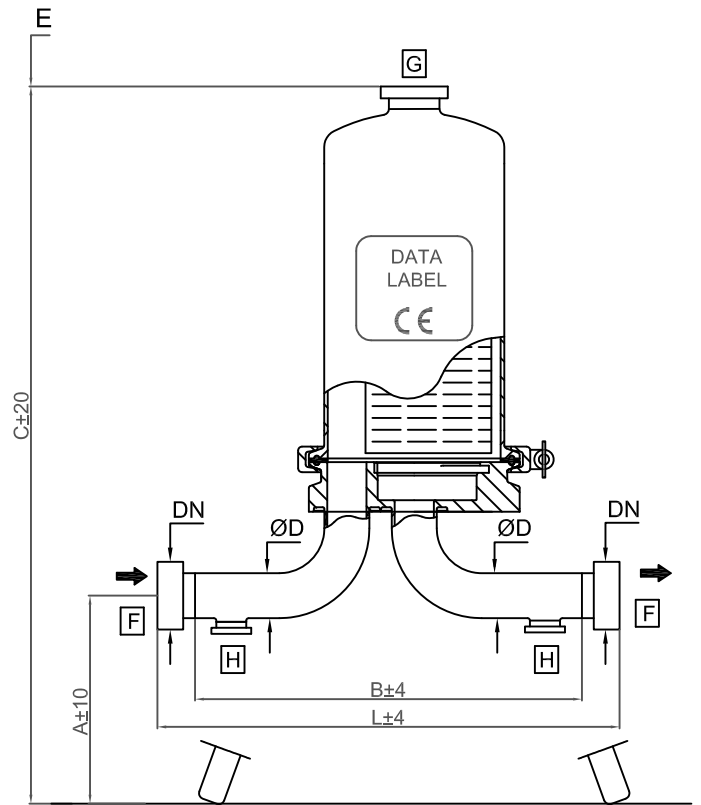
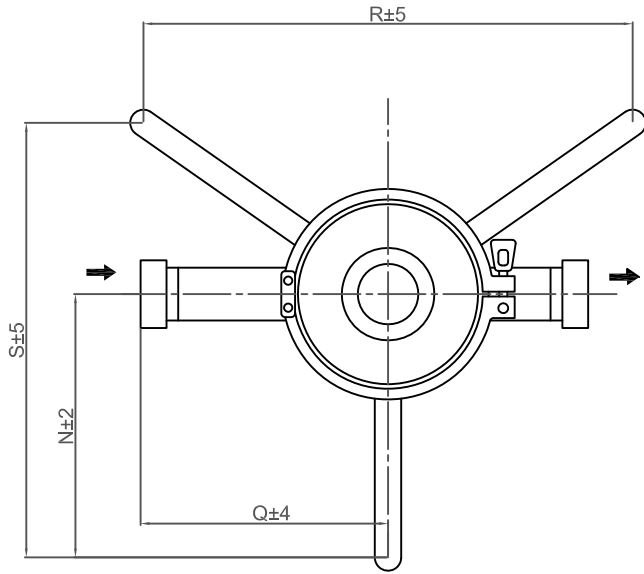
RJT MALE PART F			
R010	1"	Ø25.4	01
R015	1.5"	Ø38.1	01; 03; 05; 08
R020	2"	Ø50.8	05; 08; 12
R025	2.5"	Ø63.5	08; 12; 18; 24; 30
R030	3"	Ø76.2	08; 12; 18; 24; 30
R040	4"	Ø101.6	12; 18; 24; 30

SMS MALE PART F			
S010	1"	Ø25.4	01
S015	1.5"	Ø38.1	01; 03; 05; 08
S020	2"	Ø50.8	05; 08; 12
S025	2.5"	Ø63.5	08; 12; 18; 24; 30
S030	3"	Ø76.2	08; 12; 18; 24; 30
S040	4"	Ø101.6	12; 18; 24; 30

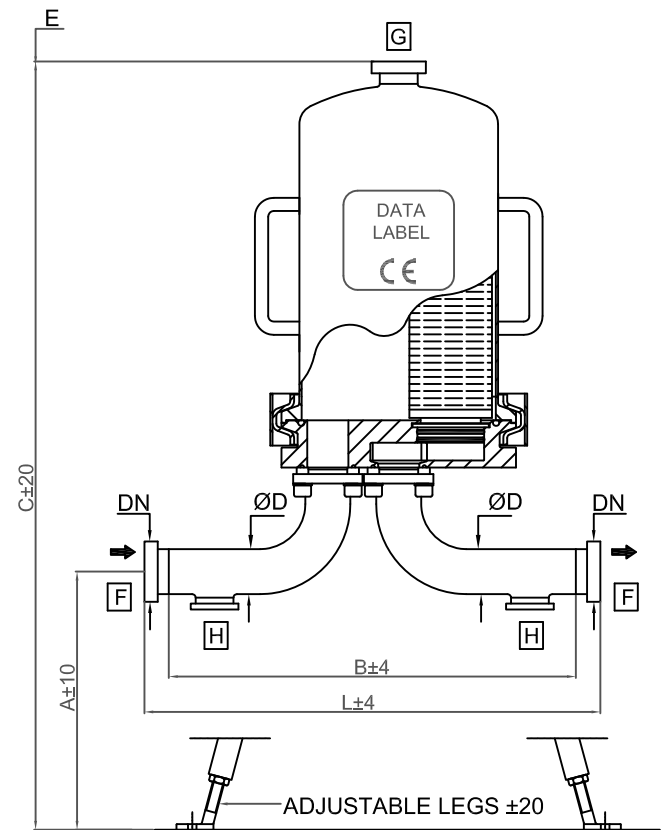
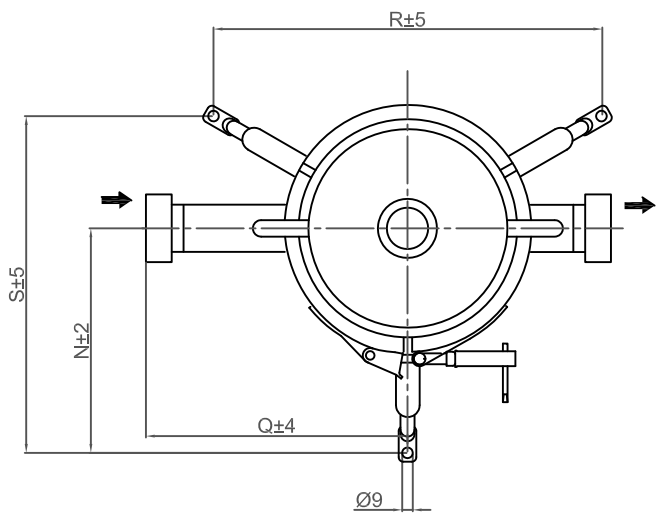
FLANGE EN1092-1 F			
E020	DN20	Ø25.4	01
E025	DN25	Ø33.7	03
E032	DN32	Ø38.1	01
E032	DN32	Ø42.4	03; 05; 08
E040	DN40	Ø48.3	03; 05; 08
E050	DN50	Ø60.3	05; 08
E050	DN50	Ø63.5	12; 18
E065	DN65	Ø60.3	08
E065	DN65	Ø76.2	12; 18; 24; 30
E080	DN80	Ø88.9	12; 18; 24; 30
E100	DN100	Ø101.6	12
E100	DN100	Ø114.3	18; 24; 30
E125	DN125	Ø139.7	without drain 24; 30
E150	DN150	Ø168.3	without drain 30

FLANGE ASME 150 lb F			
A075	0.75"	Ø25.4	01
A100	1"	Ø33.7	03
A125	1.25"	Ø38.1	01
A125	1.25"	Ø42.4	03; 05; 08
A150	1.5"	Ø48.3	03; 05; 08
A200	2"	Ø60.3	05; 08
A250	2.5"	Ø60.3	08
A250	2.5"	Ø63.5	12; 18
A300	3"	Ø60.3	08
A300	3"	Ø76.2	12; 18; 24; 30
A350	3.5"	Ø88.9	12; 18; 24; 30
A400	4"	Ø101.6	12
A400	4"	Ø114.3	18; 24; 30
A500	5"	Ø139.7	without drain 24; 30
A600	6"	Ø168.3	without drain 30

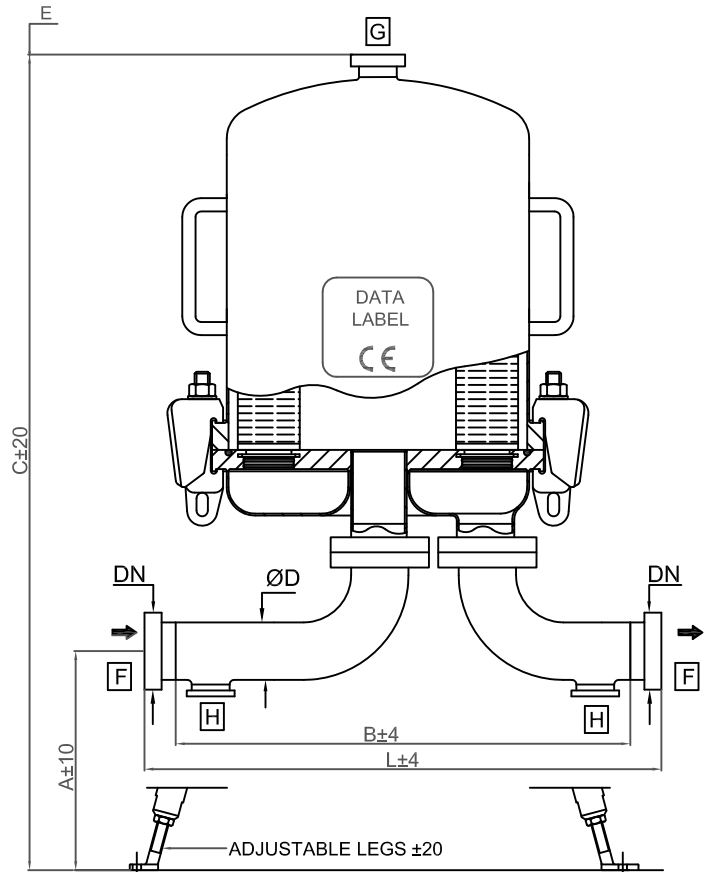
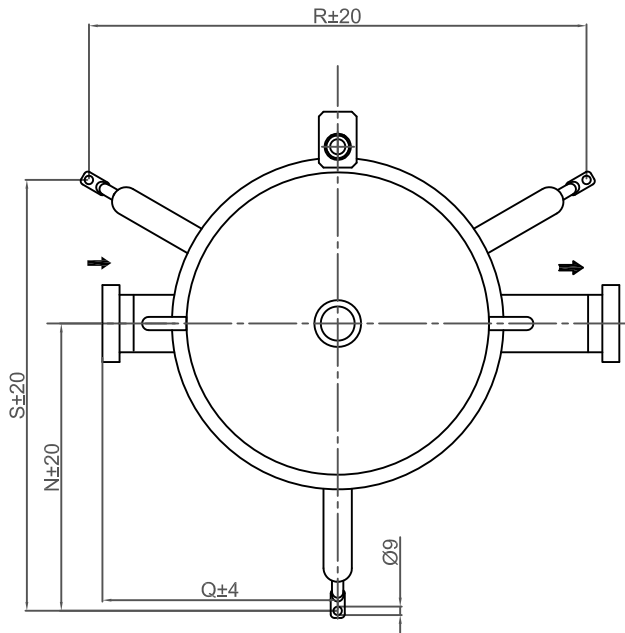
VHP CARTRIDGES QUANTITY 01



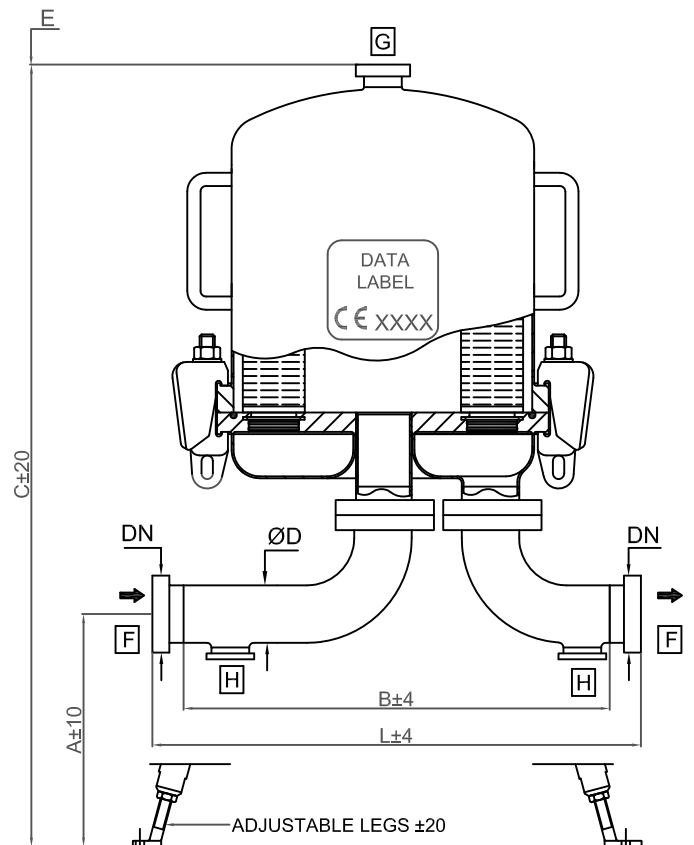
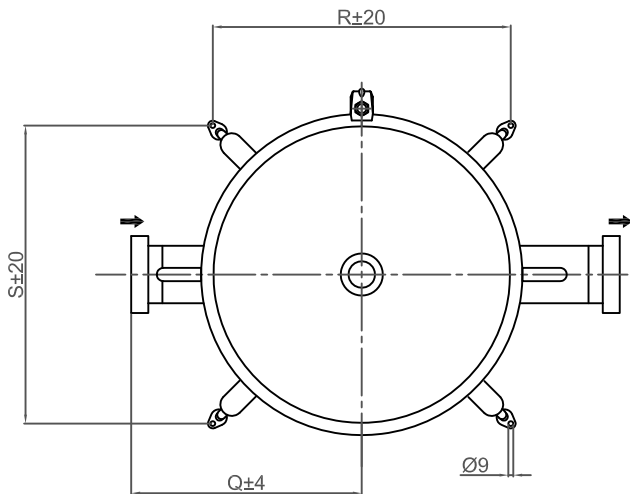
VHP CARTRIDGES QUANTITY 03 - 05 - 08



VHP CARTRIDGES QUANTITY 12 - 18



VHP CARTRIDGES QUANTITY 24 - 30



DIMENSIONAL DATA								
VESSEL MODEL (Q)	CARTRIDGE x HEIGHT (N)	R mm	S mm	N mm	C mm	E mm	VOLUME litres (V)	PED category
VHP011	01 x 10"	360	312	208	790	300	3.0	3.3
VHP012	01 x 20"	360	312	208	1040	550	4.8	3.3
VHP013	01 x 30"	360	312	208	1290	800	6.7	I
VHP014	01 x 40"	360	312	208	1540	1050	8.6	I
VHP031	03 x 10"	357	310	206	816	290	7.3	I
VHP032	03 x 20"	357	310	206	1065	540	12.6	I
VHP033	03 x 30"	357	310	206	1314	790	17.8	I
VHP034	03 x 40"	357	310	206	1564	1040	23.1	II
VHP051	05 x 10"	400	347	231	825	290	11	I
VHP052	05 x 20"	400	347	231	1075	540	20	II
VHP053	05 x 30"	400	347	231	1325	790	29.1	II
VHP054	05 x 40"	400	347	231	1575	1040	38.2	II
VHP081	08 x 10"	448	388	259	846	290	21.3	II
VHP082	08 x 20"	448	388	259	1096	540	35.5	II
VHP083	08 x 30"	448	388	259	1346	790	49.7	II
VHP084	08 x 40"	448	388	259	1596	1040	63.9	II
VHP121	12 x 10"	425	410	279	930	290	41	II
VHP122	12 x 20"	425	410	279	1180	540	66	II
VHP123	12 x 30"	425	410	279	1430	790	88	II
VHP124	12 x 40"	425	410	279	1680	1040	112	III
VHP181	18 x 10"	505	480	304	950	290	54	II
VHP182	18 x 20"	505	480	304	1200	540	85	II
VHP183	18 x 30"	505	480	304	1450	790	115	III
VHP184	18 x 40"	505	480	304	1700	1040	146	III
VHP241	24 x 10"	465	455	-	970	290	73	II
VHP242	24 x 20"	465	455	-	1220	540	112	III
VHP243	24 x 30"	465	455	-	1470	790	151	III
VHP244	24 x 40"	465	455	-	1720	1040	190	III
VHP301	30 x 10"	550	550	-	1000	290	118	III
VHP302	30 x 20"	550	550	-	1250	540	176	III
VHP303	30 x 30"	550	550	-	1500	790	235	III
VHP304	30 x 40"	550	550	-	1750	1040	293	III

DIMENSIONAL DATA STANDARD CONNECTION

VESSEL MODEL (Q)	CLAMP							DIN 11851 MALE PART							BUTT WELD ASME BPE							
	WITHOUT DRAIN			WITH DRAIN				WITHOUT DRAIN			WITH DRAIN				WITHOUT DRAIN			WITH DRAIN				
	A	L	Q	A	L	Q	A	L	Q	A	L	Q	A	B	Q	A	B	Q				
VHP01	1.0"	381	188	103	381	269	154	DN25	381	220	118	381	300	169	25.4x1.65	381	163	90	381	244	141	
	1.5"	354	220	122	354	370	198	DN40	354	258	144	354	415	220	38.1x1.65	354	194	112	354	345	185	
VHP03	1.5"	345	310	147	345	385	223	DN40	345	351	168	345	426	243	38.1x1.65	345	285	135	345	360	210	
VHP05	1.5"	345	330	167	345	405	243	DN40	345	371	188	345	446	263	38.1x1.65	345	305	155	345	380	230	
	2.0"	315	378	196	315	445	263	DN50	315	423	218	315	490	285	50.8x1.65	315	353	183	315	420	250	
VHP08	1.5"	345	356	193	345	431	269	DN40	345	397	214	345	472	289	38.1x1.65	345	331	181	345	406	256	
	2.0"	315	404	222	315	471	289	DN50	315	449	244	315	516	311	50.8x1.65	315	379	209	315	446	273	
	2.5"	286	467	242	286	547	323	DN65	286	522	270	286	602	350	63.5x1.65	286	442	230	286	552	310	
	3.0"	258	523	270	258	603	351	DN80	258	498	303	258	668	383	76.2x1.65	258	498	258	258	578	338	
VHP12	2.0"	350	477	238	350	544	238	DN50	350	519	259	350	586	259	50.8x1.65	350	451	225	350	518	225	
	2.5"	326	493	225	326	573	225	DN65	326	547	252	326	627	252	63.5x1.65	326	467	212	326	547	212	
	3.0"	298	549	253	298	629	253	DN80	317	603	246	317	683	246	76.2x1.65	298	523	240	298	603	240	
	4.0"	290	529	243	290	609	243	DN100	290	527	202	290	687	282	101.6x2.11	290	483	210	290	583	230	
VHP18	2.5"	325	509	225	325	589	225	DN65	325	564	252	325	644	252	63.5x1.65	325	482	212	325	564	212	
	3.0"	297	565	253	297	645	253	DN80	316	620	276	316	700	276	76.2x1.65	297	540	240	297	620	240	
	4.0"	287	552	246	287	632	246	DN100	287	544	262	287	704	282	101.6x2.11	292	604	314	292	600	230	
																114.3x2.00 *	287	525	232	287	605	232
VHP24	2.5"	318	563	264	318	643	264	DN65	318	618	291	318	698	291	63.5x1.65	318	539	252	318	518	252	
	3.0"	292	578	252	292	660	252	DN80	331	634	295	331	715	295	76.2x1.65	292	554	239	292	547	239	
	4.0"	300	566	245	300	647	245	DN100	300	638	281	300	718	281	101.6x2.11	300	534	229	300	603	229	
																114.3x2.00 *	286	559	252	286	583	252
																139.7x2.00 *	248	615	270			
VHP30	2.5"	318	664	330	318	744	330	DN65	318	719	357	318	799	357	63.5x1.65	318	639	317	318	719	317	
	3.0"	292	685	323	292	765	323	DN80	331	740	356	331	820	356	76.2x1.65	292	660	310	292	740	310	
	4.0"	300	662	306	300	742	306	DN100	300	734	342	300	814	342	101.6x2.11	300	630	290	300	710	290	
																114.3x2.00 *	289	645	303	289	725	303
																139.7x2.00 *	251	671	291			
															168.3x2.00 *	210	747	328				

* ISO 1127-1

DIMENSIONAL DATA CONNECTION														
VESSEL MODEL (Q)	RJT MALE PART							SMS MALE PART						
		WITHOUT DRAIN			WITH DRAIN				WITHOUT DRAIN			WITH DRAIN		
		A	L	Q	A	L	Q		A	L	Q	A	L	Q
VHP01	1.0"	381	225	122	381	307	173	1.0"	381	202	110	381	284	162
	1.5"	354	258	141	354	408	217	1.5"	354	241	133	354	391	208
VHP03	1.5"	345	348	166	345	423	242	1.5"	345	331	158	345	406	233
VHP05	1.5"	345	368	187	345	443	262	1.5"	345	351	178	345	426	253
	2.0"	315	416	215	315	483	282	2.0"	315	403	208	315	470	275
VHP08	1.5"	345	394	213	345	469	288	1.5"	345	377	204	345	452	279
	2.0"	315	442	214	315	509	308	2.0"	315	429	234	315	496	301
	2.5"	286	506	262	286	586	342	2.5"	286	502	260	286	582	340
	3.0"	258	562	290	258	642	370	3.0"	258	568	293	258	648	373
VHP12	2.0"	350	515	257	350	582	257	2.0"	350	501	250	350	568	250
	2.5"	326	531	244	326	611	244	2.5"	326	527	242	326	607	242
	3.0"	298	587	272	298	667	272	3.0"	298	593	275	298	673	275
	4.0"	290	547	242	290	647	262	4.0"	290	543	240	290	643	260
VHP18	2.5"	325	548	244	325	628	244	2.5"	325	544	242	325	624	242
	3.0"	297	604	272	297	684	272	3.0"	297	610	275	297	690	275
	4.0"	287	584	262	287	664	262	4.0"	287	580	260	287	660	260
VHP24	2.5"	318	602	283	318	682	257	2.5"	318	598	281	318	678	281
	3.0"	292	619	272	292	699	244	3.0"	292	625	275	292	705	275
	4.0"	300	599	262	300	679	272	4.0"	300	595	259	300	675	259
VHP30	2.5"	318	703	349	318	783	349	2.5"	318	699	347	318	779	347
	3.0"	292	724	342	292	804	342	3.0"	292	730	345	292	810	345
	4.0"	300	694	322	300	774	322	4.0"	300	690	320	300	770	320

DIMENSIONAL DATA CONNECTION														
VESSEL MODEL (Q)	FLANGE EN1092-1							FLANGE ASME 150lb						
	WITHOUT DRAIN			WITH DRAIN				WITHOUT DRAIN			WITH DRAIN			
	A	L	Q	A	L	Q		A	L	Q	A	L	Q	
VHP01	20	381	239	129	381	320	179	0.75"	381	268	143	381	349	193
	32	354	274	137	354	425	225	1.25"	354	274	137	354	425	225
VHP03	25	332	322	161	332	422	241	1.0"	332	322	161	332	422	241
	32	323	341	170	323	441	251	1.25"	323	341	170	323	441	251
	40	377	321	161	377	460	260	1.5"	377	321	161	377	460	260
VHP05	32	333	357	186	333	447	267	1.25"	333	357	186	333	447	267
	40	323	376	196	323	476	276	1.5"	323	376	196	323	476	276
	50	340	394	195	340	514	295	2.0"	340	394	195	340	514	295
VHP08	32	329	445	195	311	535	295	1.25"	329	445	195	311	535	295
	40	301	454	204	301	554	304	1.5"	301	454	204	301	554	304
	50	347	472	223	328	592	323	2.0"	347	472	223	328	592	323
	65	347	472	223	347	592	323	2.5"	347	472	223	347	592	323
								3.0"	347	472	223	347	592	323
VHP12	50	307	572	275	307	671	275	2.5"	307	572	275	307	691	285
	65	279	597	272	279	728	302	3.0"	279	597	272	279	748	312
	80	324	556	267	324	656	267	3.5"	324	556	267	324	656	267
	100	290	597	272	290	728	302	4.0"	290	597	272	290	728	302
VHP18	50	301	609	294	301	709	294	2.5"	301	609	294	301	709	294
	65	280	634	292	280	744	302	3.0"	280	634	292	280	764	312
	80	325	614	297	325	703	297	3.5"	325	624	307	325	703	297
	100	287	629	295	287	749	285	4.0"	287	629	295	287	749	285
VHP24	65	281	678	322	281	778	322	3.0"	281	678	322	281	788	322
	80	327	657	317	327	737	317	3.5"	327	657	317	327	737	317
	100	289	673	315	289	774	315	4.0"	289	673	315	289	774	315
	125	248	719	323				5.0"	248	719	323			
VHP30	65	280	774	382	280	884	382	3.0"	280	774	382	280	884	382
	80	327	773	381	327	833	381	3.5"	327	773	381	327	833	381
	100	288	769	374	288	869	374	4.0"	288	769	374	288	869	374
	125	250	815	383				5.0"	250	815	383			
	150	210	851	381				6.0"	210	851	381			

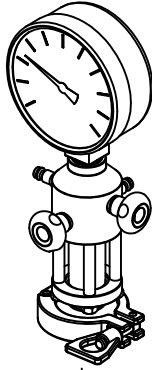
PACKAGING SIZE AND WEIGHT					
VESSEL MODEL (Q)	CARTRIDGE x HEIGHT (N)	BOWL WEIGHT kg	TOTAL NET WEIGHT kg	PACKAGING SIZE cm	TOTAL WEIGHT PACKED kg
VHP011	01 x 10"	2.0	7.0	87x27x17	8.0
VHP012	01 x 20"	3.3	8.2	87x27x17	9.5
VHP013	01 x 30"	4.6	9.4	112x27x17	11.0
VHP014	01 x 40"	5.9	10.6	137x27x17	13.0
VHP031	03 x 10"	4.0	17.4	109x40x30	23.0
VHP032	03 x 20"	6.0	19.4	109x40x30	25.0
VHP033	03 x 30"	8.0	21.4	130x40x30	27.0
VHP034	03 x 40"	10.0	23.4	165x40x30	29.0
VHP051	05 x 10"	5.3	11.0	100x40x37	24.0
VHP052	05 x 20"	7.5	20.0	100x40x37	26.0
VHP053	05 x 30"	10.2	22.0	130x40x37	28.0
VHP054	05 x 40"	12.9	24.0	165x40x37	30.0
VHP081	08 x 10"	7.0	27.0	105x43x42	30.0
VHP082	08 x 20"	10.0	30.0	105x43x42	34.0
VHP083	08 x 30"	13.0	33.0	128x43x42	38.0
VHP084	08 x 40"	16.0	36.0	153x43x42	42.0
VHP121	12 x 10"	10.0	58.0	107x53x50	63.0
VHP122	12 x 20"	14.5	62.0	107x53x50	76.0
VHP123	12 x 30"	19.0	66.0	135x53x50	87.0
VHP124	12 x 40"	23.5	70.0	165x53x50	100.0
VHP181	18 x 10"	12.0	59.0	107x64x61	65.0
VHP182	18 x 20"	17.0	63.0	107x64x61	73.0
VHP183	18 x 30"	22.0	68.0	137x64x61	90.0
VHP184	18 x 40"	27.0	74.0	167x64x61	103.0
VHP241	24 x 10"	18.0	88.0	107x64x61	93.0
VHP242	24 x 20"	27.0	97.0	107x64x61	107.0
VHP243	24 x 30"	35.0	105.0	137x64x61	127.0
VHP244	24 x 40"	44.0	114.0	167x64x61	143.0
VHP301	30 x 10"	28.0	93.0	120x75x72	112.0
VHP302	30 x 20"	38.0	101.0	120x75x72	121.0
VHP303	30 x 30"	48.0	109.0	145x75x72	131.0
VHP304	30 x 40"	58.0	117.0	170x75x72	140.0

ACCESSORIES FOR VHP RANGE (01 - 30 CARTRIDGES)

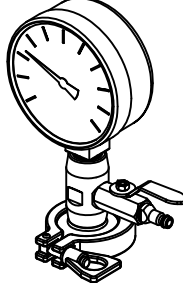
1 SANITARY VALVE
601300010



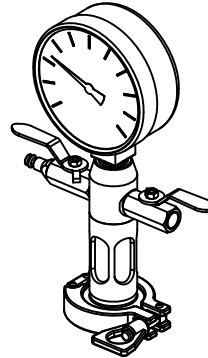
2 SANITARY VALVES
+ SIGHT GLASS
601310010



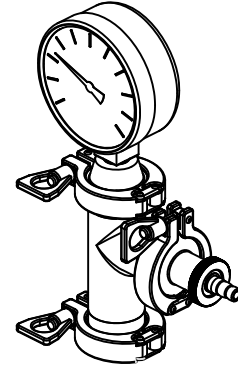
1 BALL VALVE
601700010



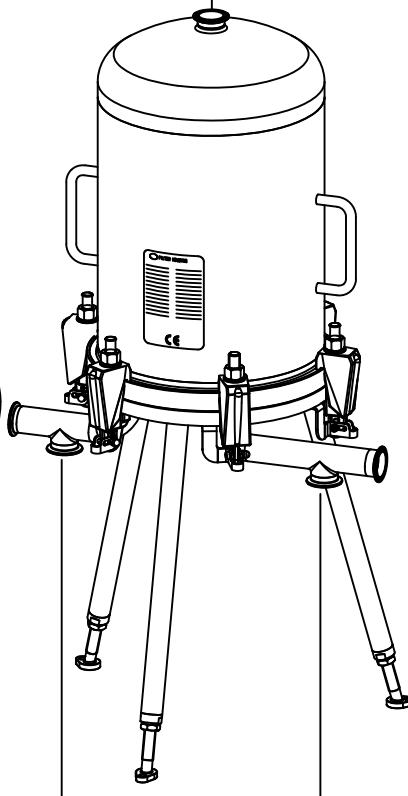
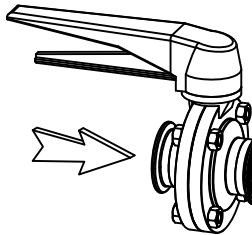
2 BALL VALVES
+ SIGHT GLASS
601719010



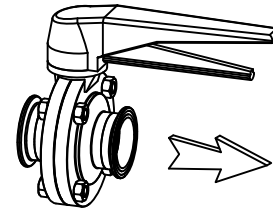
1 SANITARY VALVE
DIAPHRAGM PRESS. GAUGE
601349010



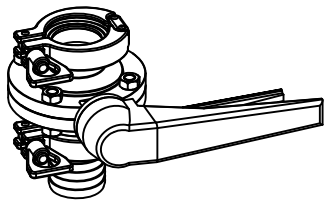
BUTTERFLY VALVE



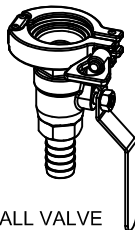
BUTTERFLY VALVE



BUTTERFLY VALVE
602320150



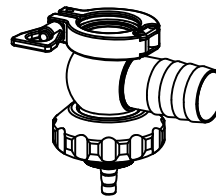
BALL VALVE
602300150



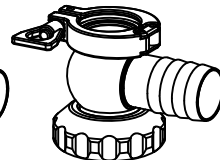
SAMPLING TEST
602310150



ANGLE VALVE + SAMPLING
20087



ANGLE VALVE
20085



SPARE PARTS - PARTI DI RICAMBIO - ERSATZTEILE - PIECES DE RECHANGE - PARTES DE CAMBIO

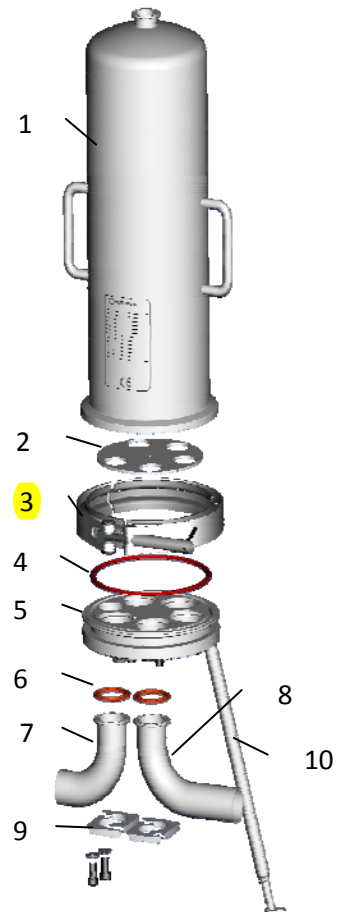
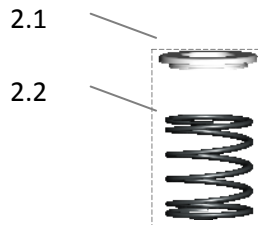
POS	DESCRIPTION	MATERIAL	Q.TY	PART NO.				
				VHP01	VHP03	VHP05	VHP08	
1	HOUSING BOWL	AISI316L	1	—	—	—	—	
2	PROTECTION PLATE	AISI316L	1	—	1043	1044	1885	
ONLY FOR VHP01 222 COD8	2.1	PROTECTION RING	1	1879	—	—	—	
	2.2	RETAINER SPRING	1	1878	—	—	—	
3	VEE-BAND	AISI304	1	61155	20022	20023	20024	
4	SEAL	SILICONE*	1	80026S	80705S	80774S	80775S	
				GASKET CLAMP 4.0"	05.34x158.11 6625	05.34x208.91 6820	05.34x266.06 61050	
				PTFE	80026P**	—	—	—
5	CARTRIDGE PLATE	AISI316L	1	—	1801	1803	—	
6	GASKET CLAMP	PTFE	2	—	80057P	80022P	—	
7	INLET ELBOW	AISI316L	—	ASK	FOR	PART	NUMBER	
8	OUTLET ELBOW	AISI316L	—	ASK	FOR	PART	NUMBER	
9	ELBOW FLANGE	AISI304	—	—	1705 _{2x}	1563 _{4x}	—	
10	COMPLETE LEG	AISI304	3	1438	20304			
11	EXAGONAL NUT	AISI316L	—	—	80792 _{3x}	80792 _{3x}	80792 _{6x}	
ONLY FOR 222-COD8	12	TIE BAR 10"	AISI316L	—	—	1880	1880	1880 _{2x}
		TIE BAR 20"	AISI316L	—	—	1546	1546	1546 _{2x}
		TIE BAR 30"	AISI316L	—	—	1547	1547	1547 _{2x}
		TIE BAR 40"	AISI316L	—	—	1548	1548	1548 _{2x}
		13	TIE BAR SCREW	AISI316L	—	—	80794	80794

* ASK FOR AVAILABLE MATERIALS

** ONLY FOR VHP01



81297. Clamp system available only for VHP01 with PTFE seal 80026P.



SPARE PARTS - PARTI DI RICAMBIO - ERSATZTEILE - PIECES DE RECHANGE - PARTES DE CAMBIO

POS	DESCRIPTION	MATERIAL	Q.TY	PART NO.			
				VHP12	VHP18	VHP24	VHP30
1	HOUSING BOWL	AISI316L	1	—	—	—	—
2	PROTECTION PLATE	AISI316L	1	1650	1651	1744	1745
3	SCREW CLAMP M16	AISI316Ti	-	1812C _{6x}	1812C _{7x}	1812C _{9x}	1812C _{16x}
4	O-RING	SILICONE*	1	80745S 7.0x342.3 - 81350	80018S 7.0x393.1 - 81550	80020S 7.0x443.4 - 81750	80756S 7.0x532.3 - 82100
5	HOUSING BASEPLATE	AISI316L	1	—	—	—	—
6	SCREW CLAMP HOOK	AISI304	-	1443 _{5x}	1443 _{7x}	1443 _{9x}	1443 _{16x}
7	GASKET CLAMP 3"	PTFE	2	80024P	80024P	—	—
7	GASKET CLAMP 4"	PTFE	2	—	—	80026P	80026P
8	O-RING	SILICONE*	2	80749S 5.34x100.0 - 189	80726S 5.34x110.50 - 6437	80754S 5.34x136.50 - 213	80727S 5.34x164.46 - 6645
9	INLET ELBOW	AISI316L	1	ASK	FOR	PART	NUMBER
10	OUTLET ELBOW	AISI316L	1	ASK	FOR	PART	NUMBER
11	BEND CLAMP		2	80170	80170	81297	81297
12	SCREW M10X40 A2		-	80371 _{18x}	80371 _{22x}	80371 _{26x}	80371 _{26x}
13	COMPLETE LEG	AISI304	-	20296 _{3x}		20297 _{4x}	
14	FOOT	AISI304	-	1957			
15	EXAGONAL NUT	AISI316L	9	80792			
16	TIE ROD 10"	AISI316L	3	1880			
	TIE ROD 20"	AISI316L	3	1546			
	TIE ROD 30"	AISI316L	3	1547			
	TIE ROD 40"	AISI316L	3	1548			
17	TIE ROD SCREW	AISI316L	3	80794			

* ASK FOR AVAILABLE MATERIALS

